



Main

Range of product	Telemecanique Safety light curtains XUSL
Accessory / separate part categor	Protection accessories
Accessory / separate part type	Protective screen
Product compatibility	XUSL.E2BB051
Accessory / separate part destination	Safety light curtain type 4 Safety light curtain type 2
Height	635 mm
Quantity per set	Set of 4

Complementary

Material	Polycarbonate
Sensing distance reduction coefficient	0.97 Sn
Net weight	0.21 kg

Environment

Resistance to chemical agents	Resistant aqueous solutions Resistant alkalis Resistant to inorganic diluted acids Resistant detergents and cleaners
Ambient air temperature for operation	-10...55 °C 14...131 °F
Ambient air temperature for storage	-25...70 °C -13...158 °F

Packing Units

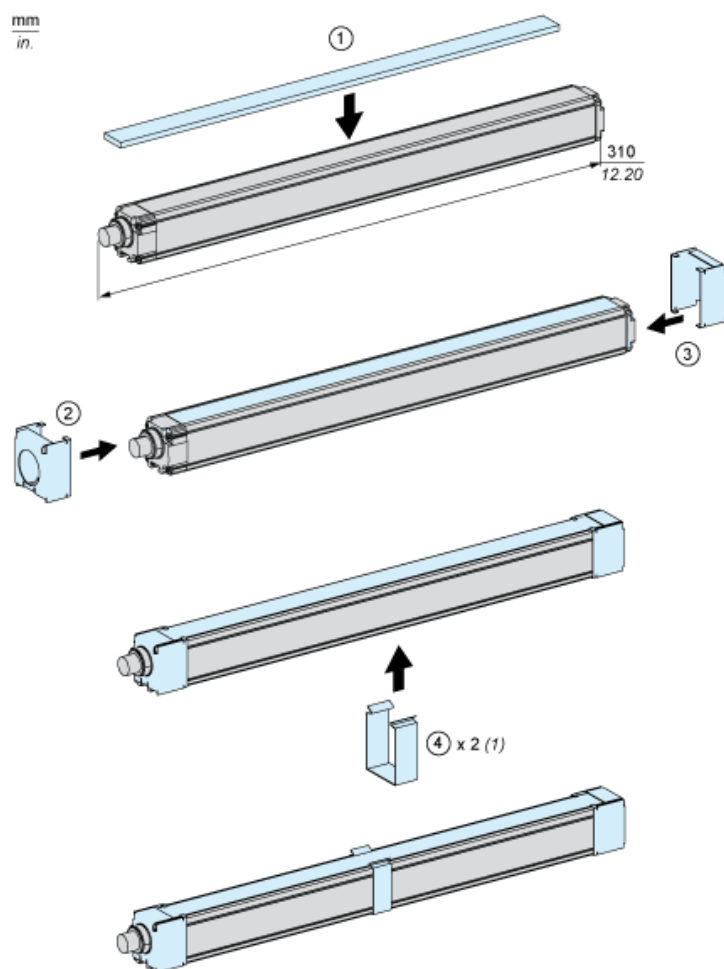
Unit Type of Package 1	PCE
Number of Units in Package 1	1
Package 1 Height	14.000 cm
Package 1 Width	20.000 cm
Package 1 Length	77.500 cm
Package 1 Weight	1.250 kg
Unit Type of Package 2	P06
Number of Units in Package 2	10
Package 2 Height	75.000 cm
Package 2 Width	60.000 cm
Package 2 Length	80.000 cm
Package 2 Weight	21.000 kg

Offer Sustainability

Sustainable offer status	Green Premium product
Toxic heavy metal free	Yes
California proposition 65	WARNING: This product can expose you to chemicals including: Diisononyl phthalate (DINP), which is known to the State of California to cause cancer, and Di-isodecyl phthalate (DIDP), which is known to the State of California to cause birth defects or other reproductive harm. For more information go to www.P65Warnings.ca.gov
For all Reach Rohs enquiries contact us at	sustainability@tesensors.com

Mounting and Clearance

Various Stages in the Protective Screen Assembly



(1) Depending on the length