



VJ-H200MX

2 Megapixel Monochrome

CE

*Please note that accessories depicted in the image are for illustrative purposes only and may not be included with the product.

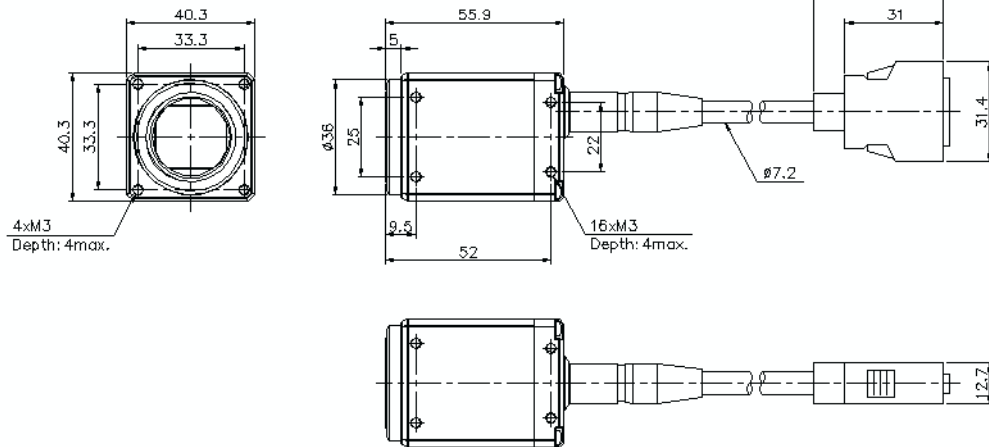
Specifications

Model	VJ-H200MX	
Image sensor	Monochrome CMOS, square lattice	
Unit cell size	3.45 μm \times 3.45 μm	
Image size	Equivalent to 1/2"	
Valid pixel count	1600 (H) \times 1200 (V)	
Transfer time	11.7 ms	
Pixel transfer frequency	195 MHz	
Transfer system	Digital serial transfer	
Electronic shutter	Settable from 0.017 msec to 100 msec	
Lens mount	C-mount	
Environmental resistance	Ambient temperature	0 to 40°C 32 to 104°F
	Relative humidity	85% RH or less
Weight	Approx. 280 g (not including lens)	

Dimensions

* Download CAD file or product manual for larger image/text and more detail.

VJ-H200CX/H200MX



When plastic fitting (accessory) is attached

