



## SR-652

Ethernet-compatible Small 2D Code Reader, Long-distance Type



\*Please note that accessories depicted in the image are for illustrative purposes only and may not be included with the product.

! This model has been discontinued. Contact Us: 1-888-539-3623  
Compliance with the certification standard is ensured as of the time of shipment from our company.

Recommended Replaceable Products: [Ethernet-compatible 2D Code Reader, Long-distance Type - SR-752](#)

## Specifications

Model		SR-652		
Type		Long-range		
Receiver	Sensor	CMOS Image Sensor		
	Number of pixels	752×480 pixels		
Lighting	Light source	High intensity red LED 630 nm		
	LED class	Class 1 LED Product (IEC60825-1)		
Laser pointer	Light source	Visible semiconductor laser, Wavelength 660 nm		
	Output	60 μW		
	Pulse duration	200 μs		
	Laser class	Class 1 Laser Product (IEC60825-1, FDA (CDRH) Part 1040.10*1)		
I/O specifications	Control input	Number of Inputs	2	
		Input type	Bidirectional voltage input	
		Maximum rating	26.4 VDC	
		Minimum ON voltage	15 VDC	
		Maximum OFF current	0.2 mA or less	
	Control output	Number of Outputs	3	
		Output type	Photo MOS relay output	
		Maximum rating	30 VDC	
		Maximum load current	1 output: 50 mA or less, 3 Total output 100 mA or less	
		Leakage current when OFF	0.1 mA or less	
		Residual voltage when ON	1 V or less	
	Ethernet	Communication standard	10BASE-T/100BASE-TX Cat.5	
		Supported protocol	TCP/IP, EtherNet/IP™, FTP, BOOTP	
	Serial communication	Communication standard	RS-232C compliant	
Transmission speed		9600, 19200, 38400, 57600, 115200 bps		

		Synchronization method	Asynchronous
Reading specifications	Supported symbol	2D	QR, MicroQR, DataMatrix (ECC200), PDF417, MicroPDF, MaxiCode, Composite character (CC-A, CC-B, CC-C)
		Barcode	GS1Databar, CODE39, ITF, Industrial2of5, NW-7 (Codabar), CODE128, GS1-128, CODE93, JAN/EAN/UPC, TriopticCODE39, Postal
	Minimum resolution	2D	0.19 mm <b>0.008"</b>
		Barcode	0.17 mm <b>0.007"</b>
	Reading distance (typical examples)	DataMatrix QR	180 to 305 mm <b>7.09" to 12.01"</b> (Cell size= 0.5 mm <b>0.02"</b> )
		Barcode	180 to 330 mm <b>7.09" to 12.99"</b> (Narrow bar width = 0.5 mm <b>0.02"</b> )
	Focal distance		250 mm <b>9.84"</b>
Field of View (at focal distance)		65.0 mm×41.5 mm <b>2.56"×1.63"</b>	
Rating	Power voltage		Control port: 24 VDC ±10 % or Ethernet port: PoE TypeA/B 36 to 57 V (Cannot supply at the same time) <sup>2</sup>
	Current consumption		Control port: 220 mA (When 24 VDC power supply is used) Ethernet port: PoE Power Class 2 <sup>3</sup>
Environmental resistance	Enclosure rating		IP65
	Ambient light		Sunlight: 10,000 lux, Incandescent lamp: 6,000 lux, Fluorescent lamp: 2,000 lux
	Ambient temperature		0 to +45 °C <b>32 to 113 °F</b>
	Storage temperature		-10 to +50 °C <b>14 to 122 °F</b>
	Relative humidity		35 to 95 % RH (No condensation)
	Storage relative humidity		
	Operating environment		No dust or corrosive gases present
Vibration resistance		10 to 55 Hz, Double amplitude 1.5 mm <b>0.06"</b> , 55 to 500 Hz, Acceleration 5G, 3 hours in each of the X, Y, and Z directions	
Weight			Approx. 175 g

\*1 The laser classification for FDA (CDRH) is implemented based on IEC60825-1 in accordance with the requirements of Laser Notice.

\*2 To comply with CSA No.61010-1/UL61010-1/IEC61010-1, use a power supply meeting the following criteria:

- provides Class 2 output as defined in the CEC and NEC, or
- evaluated as a Limited Power Source as defined in CAN/CSA-C22.2 No.60950-1/UL60950-1/IEC60950-1.

\*3 Peak operating current for PoE Power Class 2: 210 mA maximum.

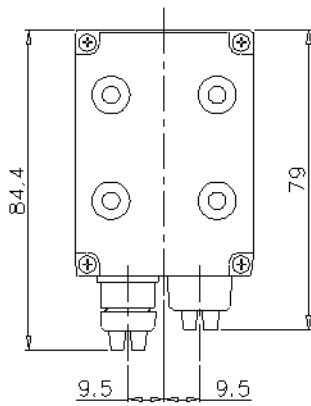
# Dimensions

\* Download CAD file or product manual for larger image/text and more detail.

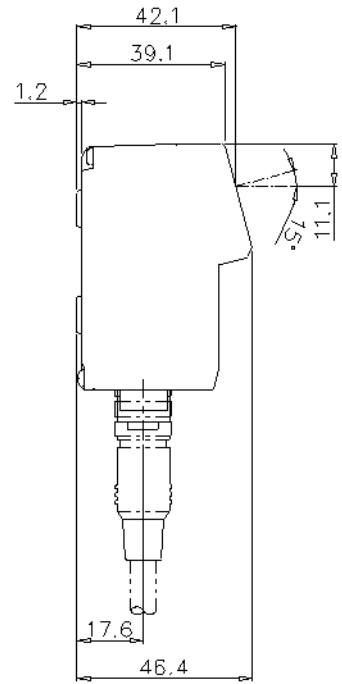
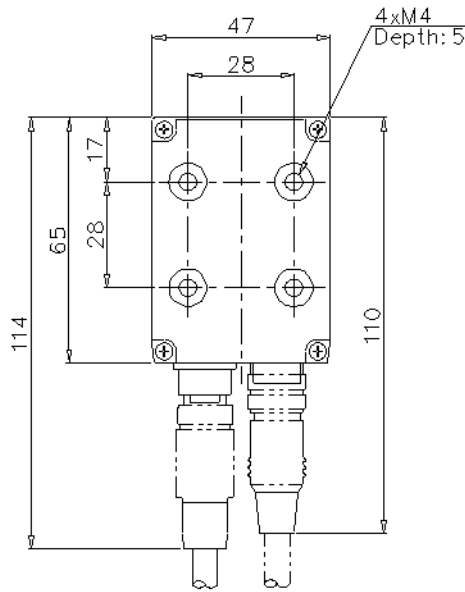
sr-752\_652\_dimension\_01.gif

SR-752/652

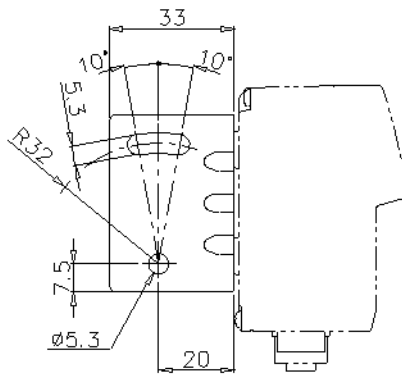
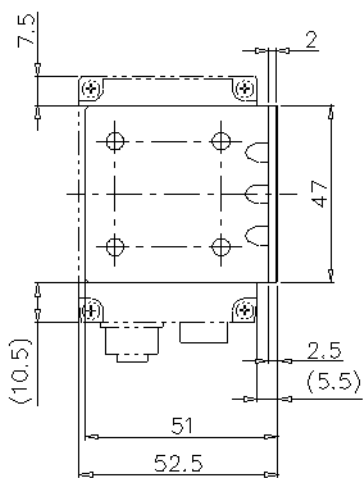
With port cover



With cable



When mounting bracket is attached



Screw hole dimensions

