



## LV-H35

Reflective Sensor Head, Spot Type, Co-axial Structure

CE

\*Please note that accessories depicted in the image are for illustrative purposes only and may not be included with the product.

ⓘ This model has been discontinued.  
Compliance with the certification standard is ensured as of the time of shipment from our company.

Contact Us: 1-888-539-3623

Recommended Replaceable Products: [Sensor head, Spot Reflective, Straight-beam coaxial - LV-NH35](#)

## Specifications

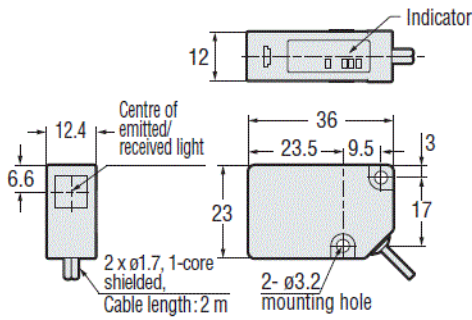
Model	LV-H35	
Type	Straight-beam coaxial	
FDA (CDRH) Part 1040.10	Class II	
Light source	Visible red semiconductor laser	
Wavelength	660 nm	
Detecting distance	FINE	150 mm 5.91"
	TURBO	300 mm 11.81"
	SUPER	600 mm 23.62"
Environmental resistance	Ambient temperature	-10 to +55 °C 14 to 131 °F (No freezing)
	Relative humidity	35 to 85 % RH (No condensation)
Material	Case	Glass reinforced plastic *1
	Lens cover	Transparent plastic
Weight	Approx. 45 g	

\*1 Norbornene plastic or acrylic

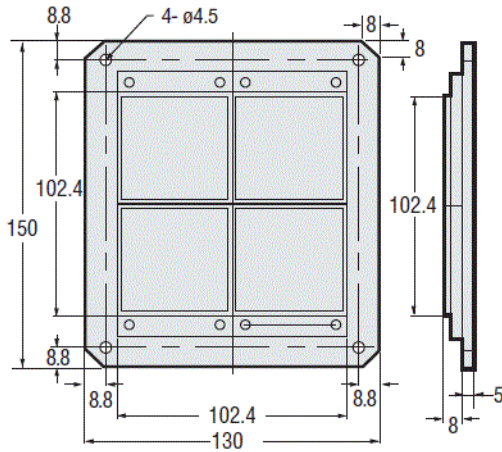
# Dimensions

\* Download CAD file or product manual for larger image/text and more detail.

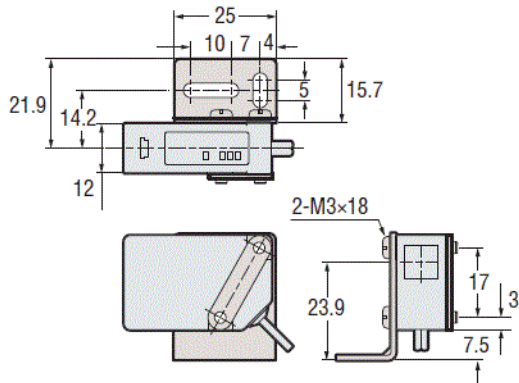
## LV-H35/H62/H67



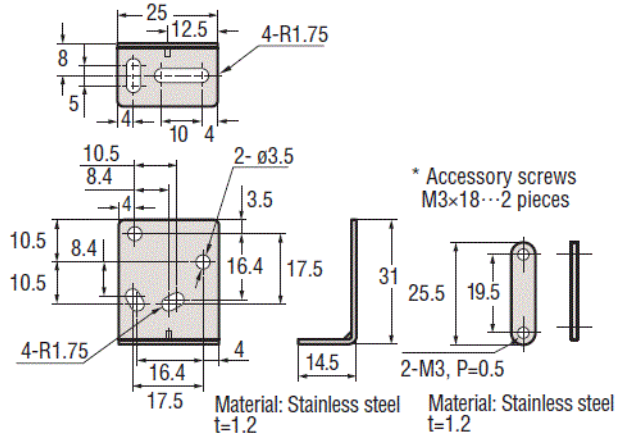
### Long-distance reflector (optional) OP-42198



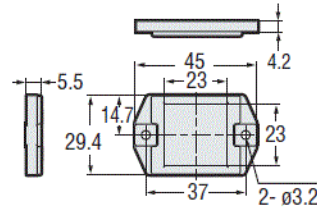
### Mounting bracket attached



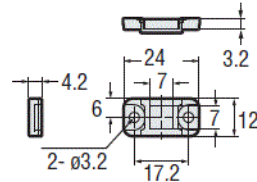
### Mounting bracket (Accessory)



### Reflector R-6 for LV-H62 (Accessory)



### Reflector R-7 for LV-H62 (Accessory)



### Reflector R-8 for LV-H67 (Accessory)

