



FS-V22R

Fiber Amplifier, Cable Type, Expansion Unit, NPN



*Please note that accessories depicted in the image are for illustrative purposes only and may not be included with the product.

! This model has been discontinued.
Compliance with the certification standard is ensured as of the time of shipment from our company.

Contact Us: 1-888-539-3623

Recommended Replaceable Products: [Digital Fiber Optic Sensor - FS-N40 series](#)

Specifications

Model		FS-V22R	
Type		1-line expansion unit, NPN	
Light source LED		Red LED	
Response time		250 μ s (FINE) /500 μ s (TURBO) /1 ms (SUPER TURBO) /4 ms (ULTRA TURBO) /500 μ s (HIGH RESOLUTION) /50 μ s (HIGH SPEED)	
Output selection		Light-ON/Dark-ON selectable	
Indicator lamp		<p>Operation indicator: Red LED Dual digital monitor: Dual 7-segment display [Preset Value (4-digit green LED indicator) and Current Value (4-digit red LED indicator) illuminated together. Current Value range: 0 to 65,520; Excess gain: 0 P to 999 P] Hold function: Possible to display both peak and bottom hold values. Bar LED monitor: Possible to display together with Current Value Excess gain displayed (85 to 115 % in 7 steps)</p>	
Detection mode		Light intensity/rising edge/falling edge	
Shift function		Max. \pm 1,999 (variable)	
Timer function	Mode	Timer OFF/OFF-delay timer/ON-delay timer/One-shot timer, selectable	
	Variable range	1 to 500 ms [1 to 30 ms (in 1 ms increments), 30 to 50 ms (in 2 ms increments), 50 to 200 ms (in 10 ms increments), 200 to 500 ms (in 50 ms increments)]	
	Accuracy	\pm 10 % of the Preset Value	
Control output		100 mA max. (40VDC max), Residual voltage: 1Vmax.	
Rating	Power voltage	12 to 24 VDC \pm 10 %, Ripple (P-P) 10 % or less	
	Power consumption	Normal	S-APC OFF: 650 mW max.(27 mA max. at 24 VDC), S-APC ON: 720 mW max. (30 mA max. at 24 VDC)* ¹
		ECO half	S-APC OFF: 530 mW max.(22 mA max. at 24 VDC), S-APC ON: 660 mW max. (25 mA max. at 24 VDC)* ¹
		ECO all	S-APC OFF: 480 mW max.(20 mA max. at 24 VDC), S-APC ON: 550 mW max. (23 mA max. at 24 VDC)* ¹
Environmental resistance	Ambient light	Incandescent lamp: 20,000 lux max., Sunlight: 30,000 lux max.	
	Ambient temperature	-10 to +55 °C 14 to 131 °F (No freezing)* ²	
	Relative humidity	35 to 85 % RH (No condensation)	
	Vibration resistance	10 to 55 Hz, Double amplitude 1.5 mm 0.06", 2 hours in each of the X, Y, and Z directions	

	Shock resistance	500 m/s ² , 3 times in each of the X, Y, and Z directions
Case material		Polycarbonate
Weight		Approx. 45 g (including 2-m cable)

*1 S-APC will be always turned ON when the high-resolution or high-speed mode is selected. S-APC is by default set to OFF in any other mode.

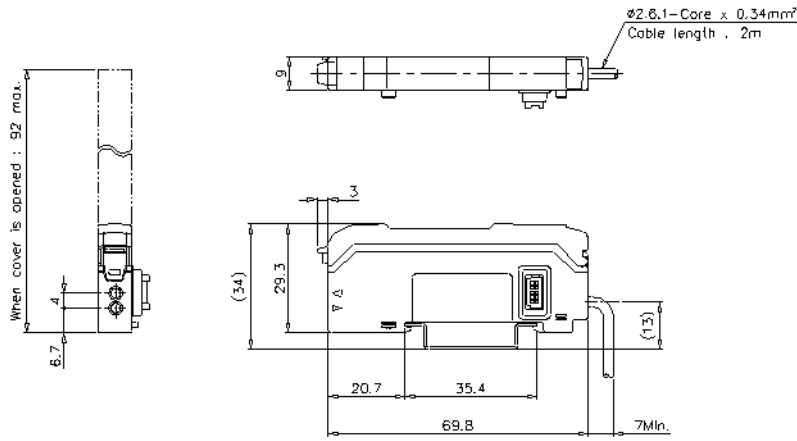
*2 If more than one unit is used together, the ambient temperature varies with the conditions below. Mount the units on the DIN rail with mounting brackets and check that the output current is 20 mA or less.

3 to 10 Units: -10 to +50 °C 14 to 122 °) 11 to 16 Units: -10 to +45 °C 14 to 113 °F

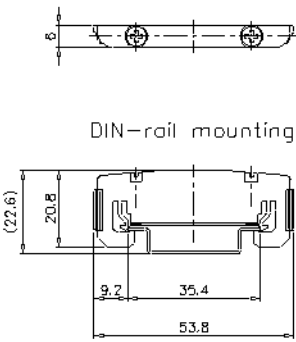
Dimensions

* Download CAD file or product manual for larger image/text and more detail.

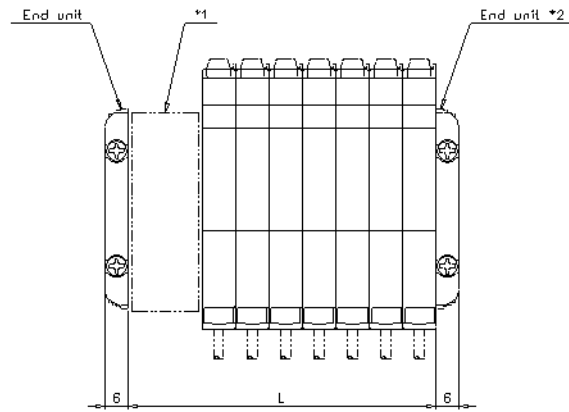
FS-V22



End unit(Included in FS-V22)



When several units are connected



No. of units	L
1	9
2	18
3	27
4	36
5	45
6	54
7	63
8	72
9	81
10	90
11	99
12	108
13	117
14	128
15	135
16	144

*1 ES-M1 or FS-V11,V1,M1,T1,R0 or FS-V21 or PS-T1 or LV-21A,11A or CZ-V1
 *2 Make sure to use end units when adding expansion units.

I/O Circuit Connection diagram

* Download CAD file or product manual for larger image/text and more detail.

I/O Circuit

