



CA-HX048C

Supporting LumiTrax™ 16x Speed Colour camera

CE

*Please note that accessories depicted in the image are for illustrative purposes only and may not be included with the product.

! This model has been discontinued.

Contact Us: 1-888-539-3623

Compliance with the certification standard is ensured as of the time of shipment from our company.

Recommended Replaceable Products: [16x speed, high-performance 0.47 megapixel camera \(Color\) - CA-H048CX](#)

Specifications

Model	CA-HX048C	
Image element	Color CMOS image receiving element, 16× high-speed reading using square-pixel, Unit cell size: 4.8 μm × 4.8 μm 0.19 Mil × 0.19 Mil	
Valid pixel count	0.47 M-pixel mode: 0.47 M pixels, 784 (H) × 596 (V) 0.31 M-pixel mode: 0.31 M pixels, 640 (H) × 480 (V) 0.24 M-pixel mode: 0.24 M pixels, 512 (H) × 480 (V)	
Image size	Equivalent to 1/3 "	
Scanning system	Progressive 2.9 ms: 0.47 M-pixel mode, 2.0 ms: 0.31 M-pixel mode, 1.7 ms: 0.24 M-pixel mode ^{*1} , 5.3 ms: 0.47 M-pixel mode, 3.5 ms: 0.31 M-pixel mode, 2.9 ms: 0.24 M-pixel mode ^{*2}	
Pixel transfer frequency	195 MHz (×16 speed) ^{*1} 130 MHz (×11 speed) ^{*2}	
Electronic shutter	Can be set to 0.022 to 1000 msec by specifying the following numerical inputs: 1/15, 1/30, 1/60, 1/120, 1/240, 1/500, 1/1000, 1/2000, 1/5000, 1/10000, 1/20000	
Environmental resistance	Ambient temperature	0 to +40 °C 32 to 104 °F
	Relative humidity	35 to 85 % RH (no condensation)
Camera cable	High-speed camera cable CA-CHxx	
Weight	Approx. 190 g (not including lens)	

^{*1} When using the CV-X400 or CV-X200 Series with the CA-EC80HX/EC80L

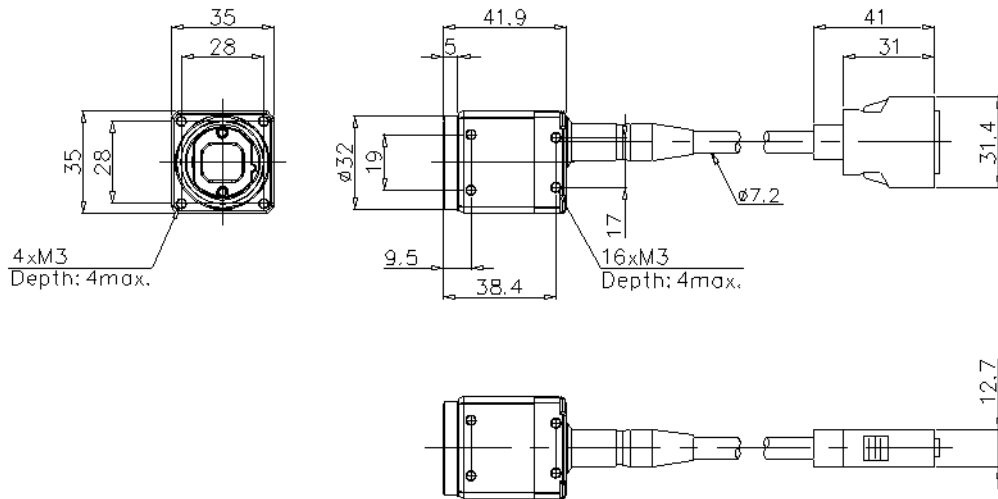
^{*2} When the camera input unit CA-EC80 is used with a CV-X100 Series controller or with a CV-X200 Series controller

Dimensions

* Download CAD file or product manual for larger image/text and more detail.

ca-hx048c_dimension_01.gif

CA-HX048C



When plastic fitting (accessory) is attached

