



# CA-HL08MX

8000 pixel line scan camera with LED pointer



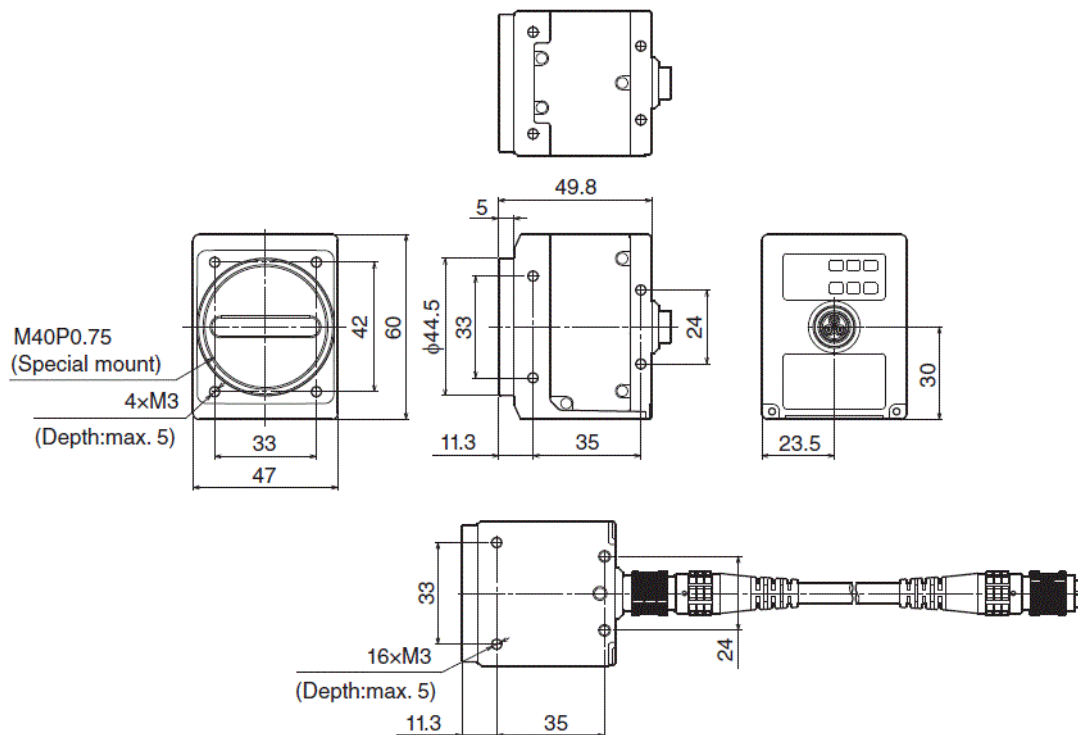
\*Please note that accessories depicted in the image are for illustrative purposes only and may not be included with the product.

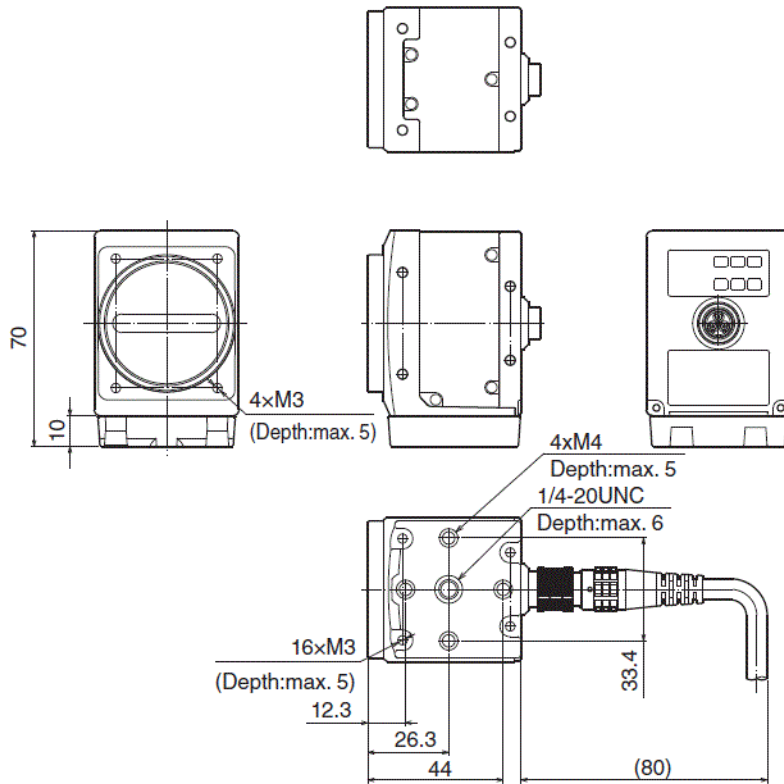
## Dimensions

\* Download CAD file or product manual for larger image/text and more detail.

ca-hl08mx\_2\_dimension\_01.gif

### High-speed Line scan camera CA-HL08MX





Unit: mm