



BL-740

Long-distance Laser Barcode Reader, Medium-distance Type, Single



*Please note that accessories depicted in the image are for illustrative purposes only and may not be included with the product.

Specifications

Model		BL-740		
Type		Mid-range		
Type	Scanning method	Single		
Laser	Light source	Visible semiconductor laser (wavelength: 655 nm)		
	Control output	100 μ W		
	Pulse duration	99.5 μ s (IEC 60825-1, JIS C6802), 50 μ s (FDA (CDRH) Part 1040.10)		
	Laser class	Class 2 (JIS C6802), Class 2 (IEC 60825-1), Class II (FDA [CDRH] Part 1040.10)		
Reading	Supported codes	CODE39; ITF; Industrial 2 of 5; NW-7 (Codabar); JAN, EAN, UPC; CODE128; COOP 2 of 5; CODE93		
	Number of readable digits	32 digits (64 digits for CODE128 with start character C)* ¹		
	Readable bar width	0.25 to 2.0 mm 0.01" to 0.08" ²		
	Reading distance	150 to 750 mm 5.91" to 29.53" (1.0 mm 0.04")		
	Focal point	400 mm 15.7"		
	Largest readable label width	600 mm 23.62" (680 mm 26.77") ³		
	PCS	0.6 or more (reflectance of the white part: 75% or more)		
	Scanning rate	700 scans/sec.		
I/O specifications	Input terminals	Number of inputs	1	
		Input format	Non-voltage or voltage input* ⁴ .	
	Output terminals	Number of outputs	2 (OK and NG)	
		Output	NPN open collector	
		Rated load	24 VDC, 30 mA	
		Leakage current (at OFF)	0.1 mA or less	
		Residual voltage (at ON)	0.5V or less	
	Serial interface	Communication method	Conforms to EIA RS-232C	
		Communication speed	600, 1200, 2400, 4800, 9600, 19200, 31250, 38400bps	
		Synchronization between the transmitter and receiver	Asynchronous	
		Data bit length	7 or 8 bits	
		Stop bit length	1 bit/2 bits	
		Parity check	None, odd, even	
Rating	Power voltage	5 VDC \pm 5 %		
	Voltage consumption	510 mA or less		

Environmental resistance	Enclosure rating	IP65
	Ambient light	Sunlight: 10,000 lux, Incandescent lamp: 4,000 lux
	Ambient temperature	0 to +40 °C 32 to 104 °F
	Relative humidity	35 to 85 % RH (No condensation)
	Operating environment	No dust or corrosive gases present
	Vibration resistance	10 to 55 Hz, Double amplitude 1.5 mm 0.06", 2 hours in each of the X, Y, and Z directions
Weight	Approx. 300 g (including the cable)	

*1 When start/stop character of CODE128 is CODE-C, up to 64 digits are allowed.

*2 When the barcode type is CODE39.

*3 Largest reading label width includes the barcode margin (quiet zone).

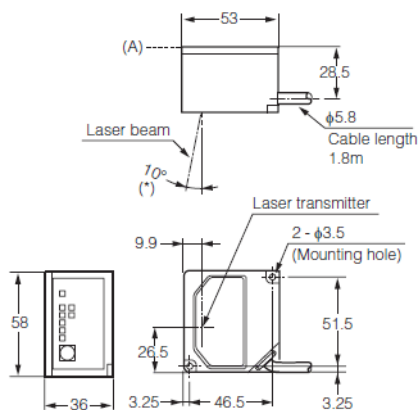
*4 (NPN model) The rating of non-voltage input: 1 V or less ON voltage, 0.6 mA or less OFF current. (PNP model) The rating of voltage input: 10.2 V or more ON voltage (26.4 V max.) 0.6 mA or less OFF current.

Dimensions

* Download CAD file or product manual for larger image/text and more detail.

BL-700_dimension_01.gif

■ BL-700 Series

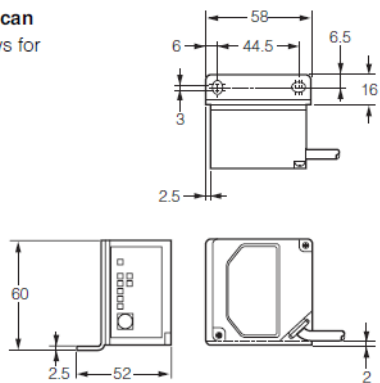


*The laser radiation angle is $10^{\circ} \pm 0.5^{\circ}$ to the vertical axis from surface (A).

BL-700_dimension_02.gif

■ BL-700 Series (with bracket)

- For vertical scan
Use M4 screws for installation.



● For horizontal scan

- Use M4 screws for installation.

