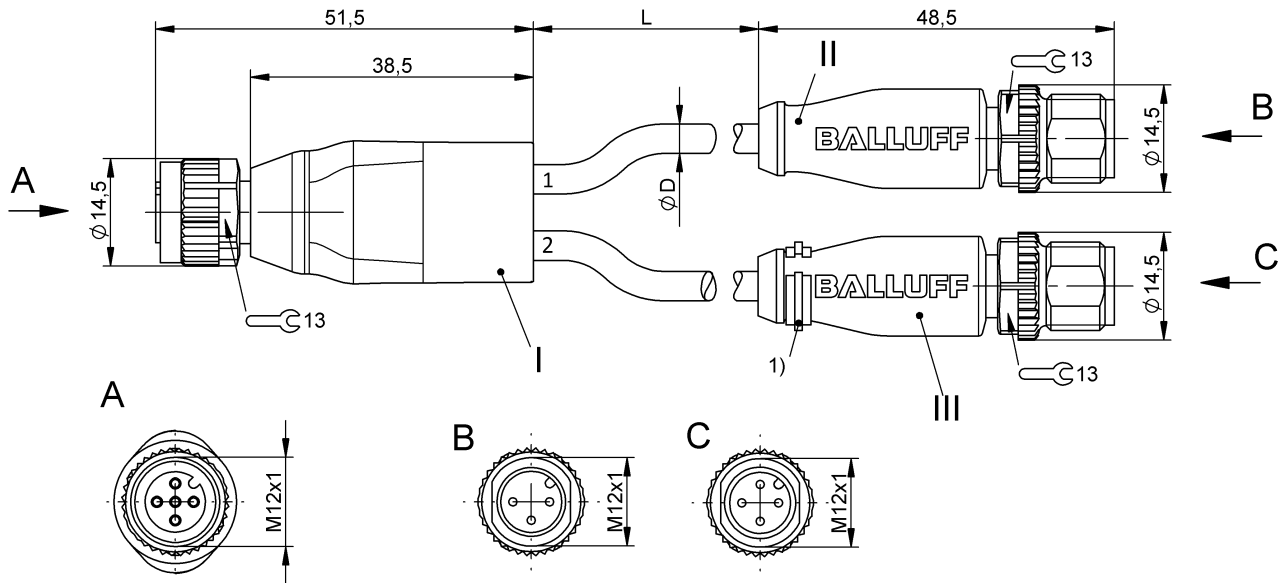


# Y-Splitters

BCC M415-M413-M414-U2073-003

Order Code: BCC0HC5

# BALLUFF



1) Identification clip beige



## Basic features

Approval/Conformity	CE WEEE cULus
---------------------	---------------------

## Electrical connection

Bending radius min., fixed cable	5 x D
Bending radius min., flexible cable	10 x D
Cable diameter D	4.30 mm ±0.20 mm
Cable, bending cycles min.	5 mil.
Cable, torsion stress	±180°/m
Conductor cross-section	0.34 mm <sup>2</sup>
Connection 1	M12x1-Female, straight, 5-pin, A-coded
Connection 2	M12x1-Male, straight, 3-pin, A-coded
Connection 3	M12x1-Male, straight, 4-pin, A-coded
Connector 01, version	straight
Connector 02, version	straight
Connector 03, version	straight
Number of conductors	3/3
Number of pins	5/3/4
System	Molded/Molded/Molded

## Electrical data

Operating voltage U <sub>b</sub>	60 VDC / 60 VAC
Rated current (40 °C)	4.0 A

## Environmental conditions

Cable temperature UL max., fixed routing	80 °C
Cable temperature UL max., flexible routing	80 °C
Cable temperature, drag chain	-25...60 °C
Cable temperature, fixed routing	-50...90 °C
Cable temperature, flexible routing	-25...90 °C
IP rating	IP67, IP68, IP69K/IP67, IP68, IP69K

## Material

Cable jacket, material	PUR
Material contact carrier	PUR/PUR/PUR
Material contacts	Bronze/Brass/Brass
Material cover nut	Die-cast zinc/Die-cast zinc/Die-cast zinc
Material grip	PUR/PUR/PUR

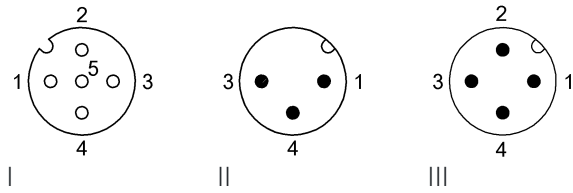
## Mechanical data

Acceleration max., drag chain	5 m/s <sup>2</sup>
Cable jacket, color	black
Cable length L	0.30 m
Cable properties	drag chain compatible
Horizontal travel permitted, drag chain	5 m
Tightening torque pigtail	0.6 Nm/0.6 Nm/0.6 Nm
Traverse speed max., drag chain	200 m/min
Vertical travel permitted, drag chain	5 m

Remarks

Enclosure rating per IEC 60529, only in screwed state with the associated mating piece.  
Halogen-free per DIN VDE 0472 Part 815  
Cable construction acc. to UL-AWM Style 20549  
Flame resistance per IEC 60332-2-2  
Silicone-free

Connector Drawings



Wiring Diagrams (Schematic)

